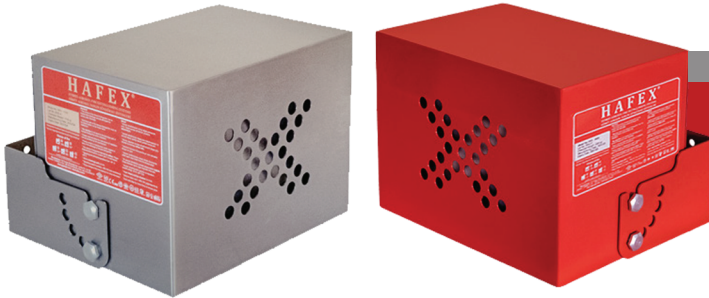


**HAFEX**<sup>®</sup>

**K-TYPE**

**HFX-1100**  
DATA SHEET



# HFX-1100

MODEL NAME :	HFX-1100
GROSS WEIGHT :	10300 gr ±%3
CHEMICAL WEIGHT :	1100 gr. POTASSIUM NITRATE
COOLING SECTION WEIGHT :	2200 gr. ±%5 (PRP:%99 Al2O3, 16mm Ø Melting Point 2050°C)
HIGH TEMPERATURE INSULATION FELT :	5 pcs. 3mm(d),(1800°C)
DIMENSIONS :	210 x 287 x 200 (in mm.)
MARKING METHOD :	Screen Printing (Serigraph)
CASING MATERIAL :	STAINLESS STEEL/PAINTED STEEL

## APPROVALS



TS ISO 15779



ISO 15779

CE 2806

TS EN 15276



TS EN 15276



ATEX



0437/24



bsi  
Aerosol  
Fire  
Extinguishers  
KITEMARK™

BS EN 15276 ( BSI KITEMARK )

MED - IMO MSC.1/Circ.1270 ( WHEELMARK )

ATEX ( EX-PROOF MARK )

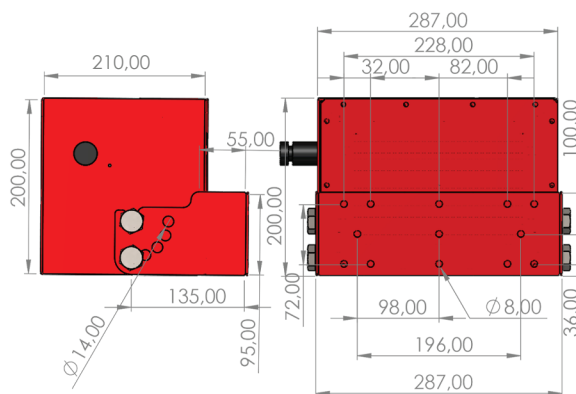
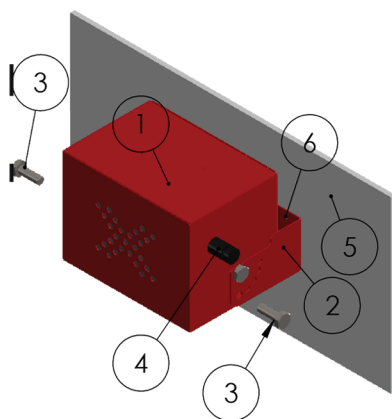
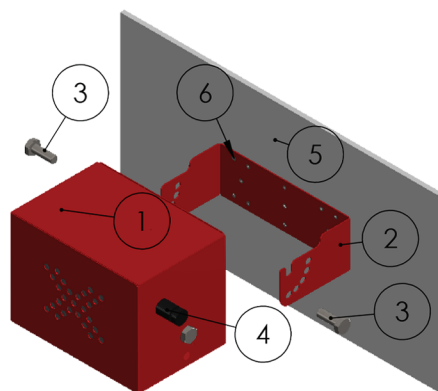
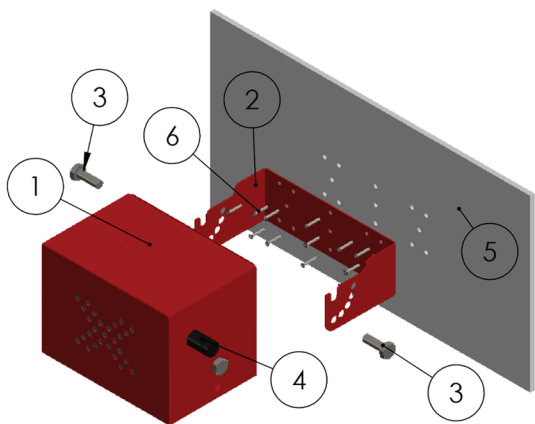
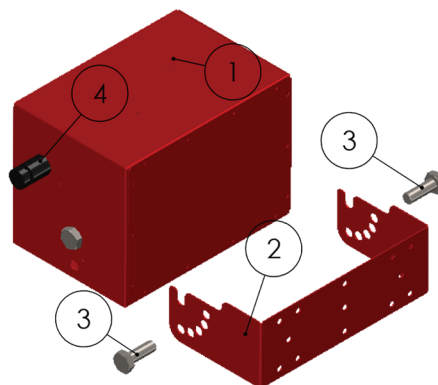
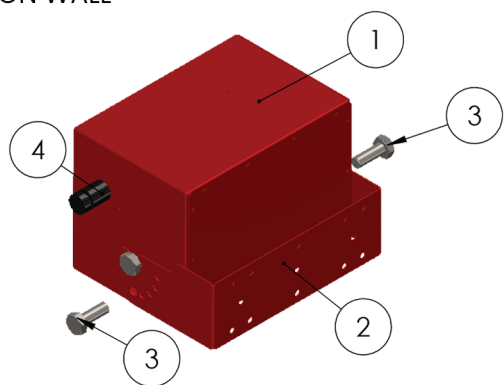
## DISCHARGE CHARACTERISTICS OF HAFEX CONDENSED AEROSOL GENERATORS

MODEL NAME	75°C DISTANCE (m)	200°C DISTANCE (m)	400°C DISTANCE (m)	DISCHARGE TIME (sec)
HFX - 1100	1.20	0.30	-	13 - 16

# WALL INSTALLATION

## HFX-1100 WALL INSTALLATION

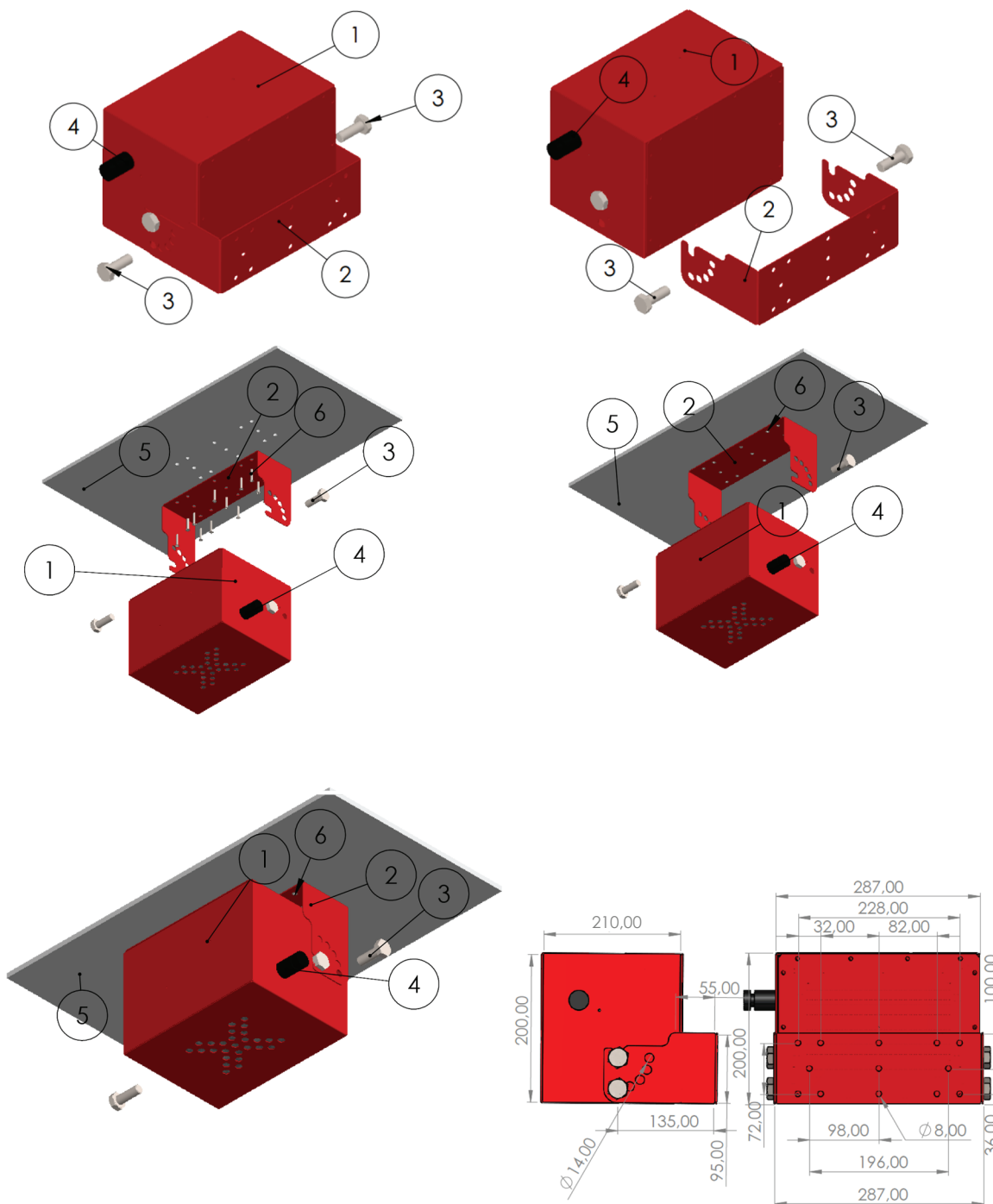
1. AEROSOL BODY
2. HANGING APPARATUS
3. IGNITER/ACTIVATOR
4. SCREW
5. BOLT
6. INSTALLATION WALL



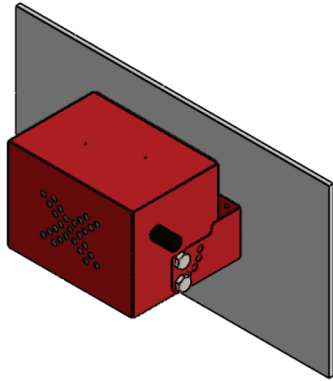
# CEILING INSTALLATION

## HFX-1100 CEILING INSTALLATION

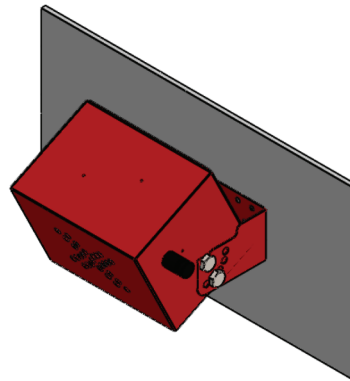
1. AEROSOL BODY
2. HANGING APPARATUS
3. IGNITER/ACTIVATOR
4. SCREW
5. BOLT
6. INSTALLATION WALL



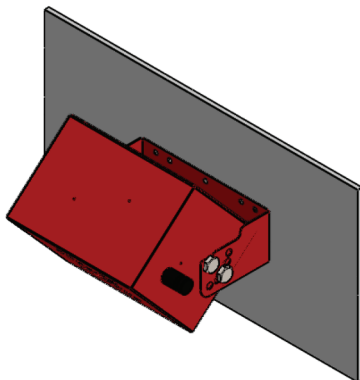
# ANGLE OPTIONS



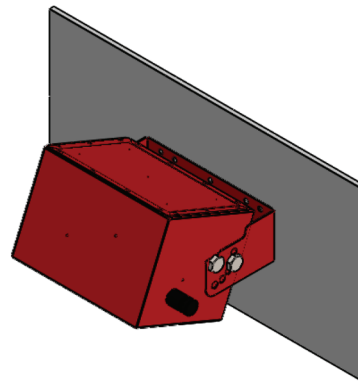
step 1: angle 0°



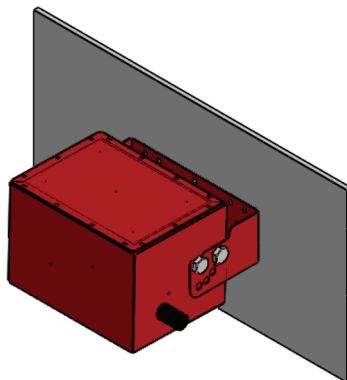
step 2: angle 22,5°



step 3: angle 45°



step 4: angle 67,5°



step 5: angle 90°

**WARNING:** IF THE ANGLE OF THE DISCHARGE PATH IS REQUIRED TO BE CHANGED, REMOVE THE SCREWS THEN TURN THE AEROSOL BODY TO THE CORRECT ANGLE AND TIGHTEN THE SCREWS WHICH WERE REMOVED.



**YG FIRE SECURITY**  
INDUSTRY AND  
FOREIGN TRADE  
LIMITED COMPANY

4. Levent Sanayi Bölgesi,  
Yeşilce Mahallesi,  
Demirbas Sokak No:20  
Kagithane  
İstanbul  
TÜRKİYE

T +90 212 210 62 06

F +90 212 210 62 07

**INTERNATIONAL CALLS**  
(GSM & WhatsApp)

+90 546 500 24 05

E [info@hafex.com.tr](mailto:info@hafex.com.tr)  
[info@ygyangin.com](mailto:info@ygyangin.com)

**Europe Office**  
HAFEX EU s.r.o  
Revoluční 1403/28,  
Nové Město,  
110 00 Praha 1  
Czech Republic

E [info@hafex.eu](mailto:info@hafex.eu)