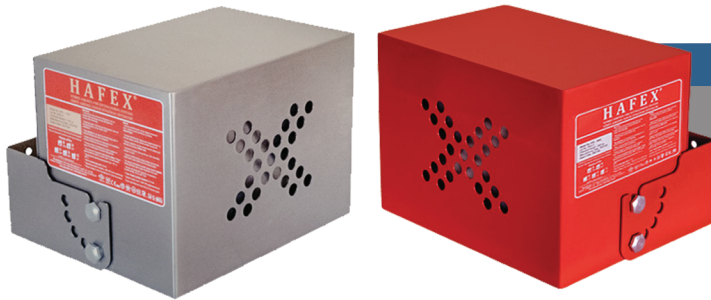


HAFEX[®]

S-TYPE

HFX-1100S

DATA SHEET



HFX-1100S

MODEL NAME :	HFX-1100S
GROSS WEIGHT :	10300 gr ±%3
CHEMICAL WEIGHT :	1100 gr. STRONTIUM NITRATE
COOLING SECTION WEIGHT :	2200 gr. ±%5 (PRP:%99 Al ₂ O ₃ , 16mm Ø Melting Point 2050°C)
HIGH TEMPERATURE INSULATION FELT :	12 pcs. 3mm(d),(1800°C)
DIMENSIONS :	210 x 287 x 200 (in mm.)
MARKING METHOD :	Screen Printing (Serigraph)
CASING MATERIAL :	STAINLESS STEEL/PAINTED STEEL

APPROVALS



TS ISO 15779



ISO 15779

CE 2806

TS EN 15276

BS EN 15276 (BSI KITEMARK)



TS EN 15276



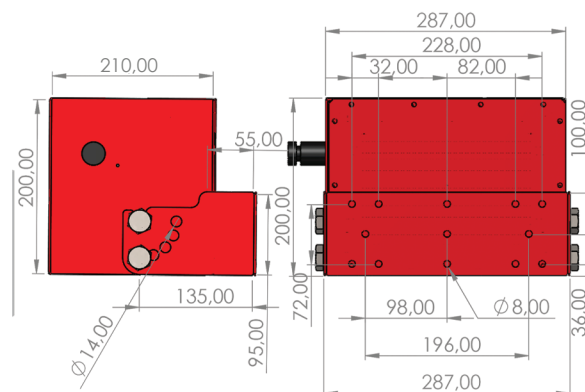
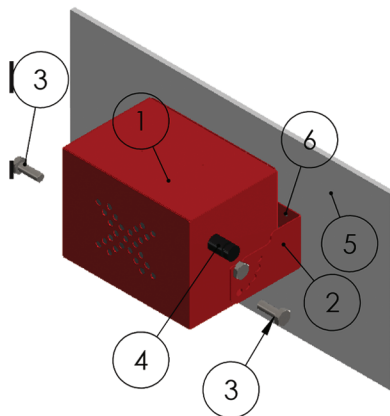
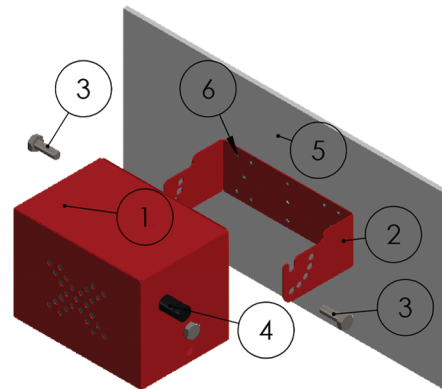
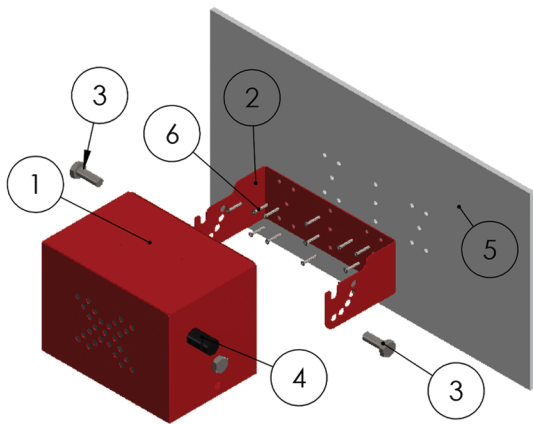
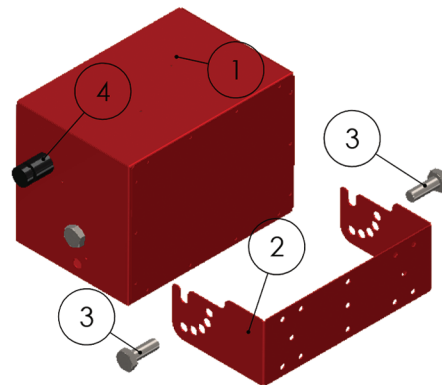
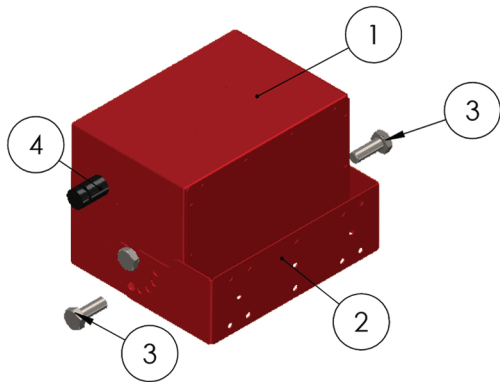
DISCHARGE CHARACTERISTICS OF HAFEX CONDENSED AEROSOL GENERATORS

MODEL NAME	75°C DISTANCE (m)	200°C DISTANCE (m)	400°C DISTANCE (m)	DISCHARGE TIME (sec)
HFX - 1100S	1.20	0.30	-	13 - 16

WALL INSTALLATION

HFX-1100S WALL INSTALLATION

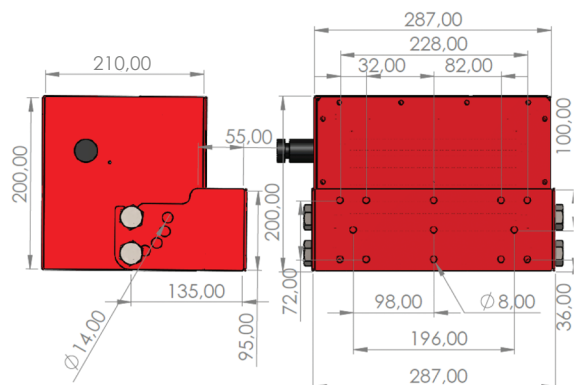
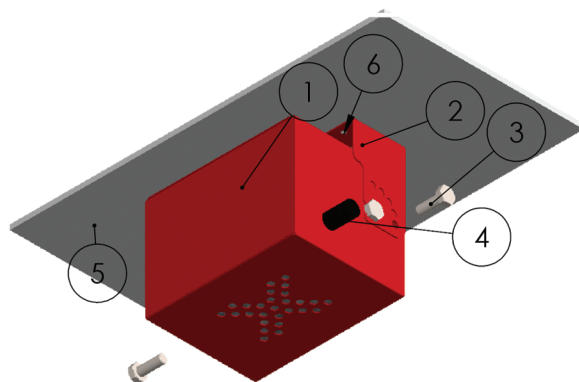
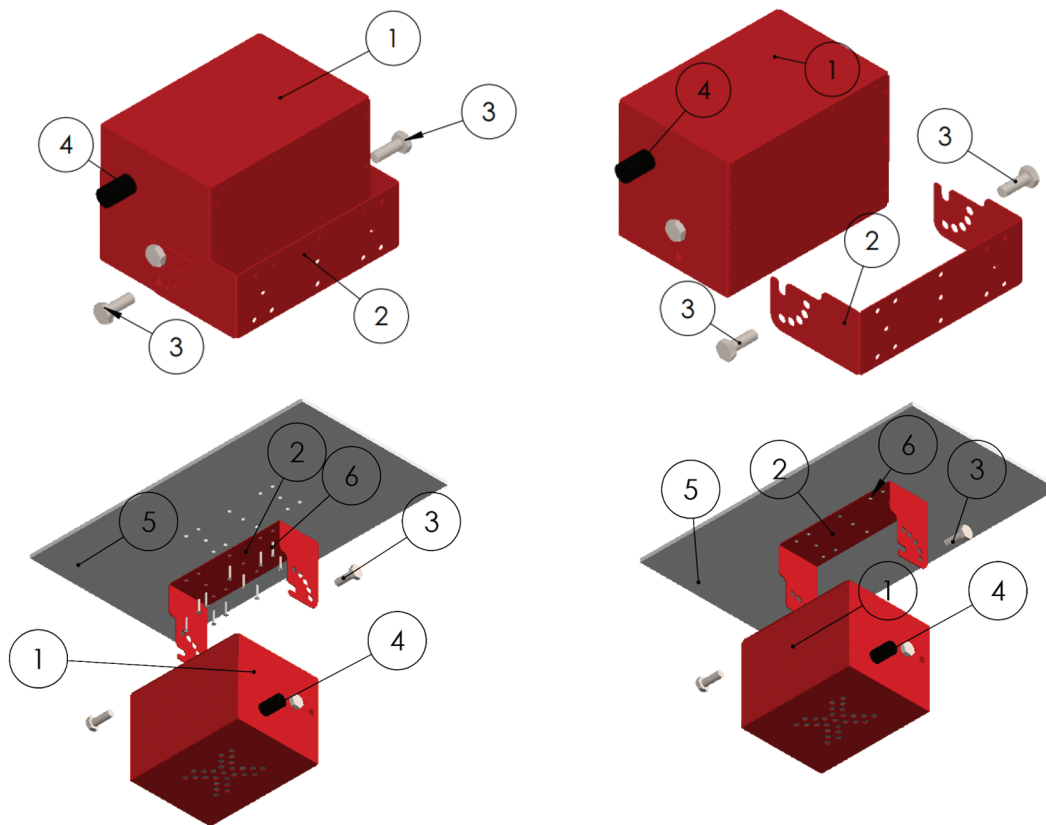
1. AEROSOL BODY
2. HANGING APPARATUS
3. IGNITER/ACTIVATOR
4. SCREW
5. BOLT
6. INSTALLATION WALL



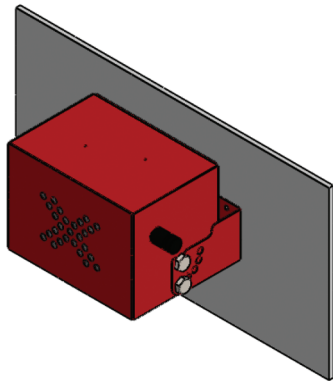
CEILING INSTALLATION

HFX-1100S CEILING INSTALLATION

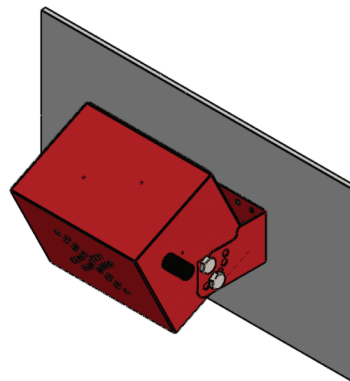
- 1. AEROSOL BODY
- 2. HANGING APPARATUS
- 3. IGNITER/ACTIVATOR
- 4. SCREW
- 5. BOLT
- 6. INSTALLATION WALL



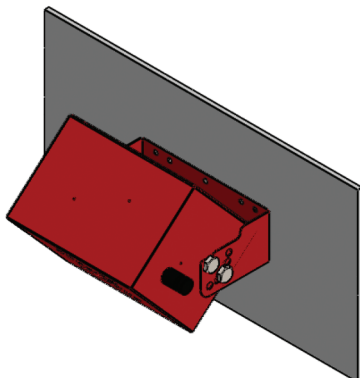
ANGLE OPTIONS



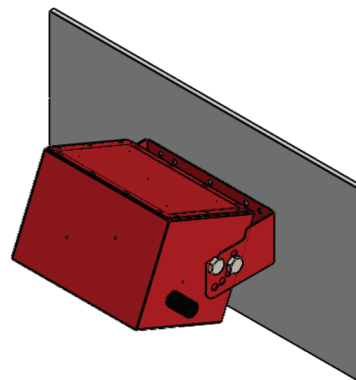
step 1: angle 0°



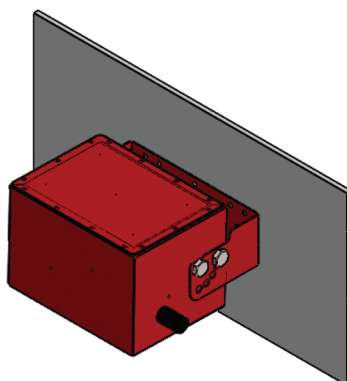
step 2: angle 22,5°



step 3: angle 45°



step 4: angle 67,5°



step 5: angle 90°

WARNING: IF THE ANGLE OF THE DISCHARGE PATH IS REQUIRED TO BE CHANGED, REMOVE THE SCREWS THEN TURN THE AEROSOL BODY TO THE CORRECT ANGLE AND TIGHTEN THE SCREWS WHICH WERE REMOVED.



YG FIRE SECURITY
INDUSTRY AND
FOREIGN TRADE
LIMITED COMPANY

4. Levent Sanayi Bölgesi,
Yeşilce Mahallesi,
Demirbas Sokak No:20
Kagithane
İstanbul
TÜRKİYE

T +90 212 210 62 06
F +90 212 210 62 07

INTERNATIONAL CALLS
(GSM & WhatsApp)
+90 546 500 24 05

E info@hafex.com.tr
info@ygyangin.com

Europe Office
HAFEX EU s.r.o
Revoluční 1403/28,
Nové Město,
110 00 Praha 1
Czech Republic

E info@hafex.eu